



Owners Manual



CHATEAU 10 TENT

www.oztrail.com.au

CTC-CH10-B



IMPORTANT SAFETY AND CARE INFORMATION

PLEASE READ BEFORE SETTING UP YOUR TENT/SHELTER

At the time of purchase we guarantee that this product is supplied without fault in construction, materials or function. We recommend that you assemble it as a trial before going away. If problems are discovered in the brand new product, they will be dealt with under our warranty.

- This product is designed as a portable and temporary structure; it is not designed to be a permanent structure or dwelling.
- Intermittent use only. Although our polyester fabrics are treated for extra UV resistance, continuous exposure to sun light will break the fabric down. Fading of colour is an early warning sign. These tents/shelters are not designed as permanent dwellings or structures.
- Do not leave this product unattended if bad weather is expected. If assembly instructions are followed correctly, this product will withstand mild winds and rain. In gusty winds and storms you must collapse the tent/shelter.
- We recommend that you discuss adding this investment to your household Insurance Policy with your Insurance Agent.

CAMP SAFE - SAFETY HABITS

The fabric may burn if left in continuous contact with a flame from any source. Also, the application of any foreign substance to the tent fabric may render the flame resistant properties ineffective.

To prevent injury caused by gas poisoning or suffocation -

- Do not use fuel burning, oxygen consuming devices inside the tent. This includes candles, gas lanterns, kerosene lamps, stoves, cooking and heating appliances
- Do not use gas appliances of any kind inside the tent/shelter

EXTREME CAUTION - Gas or fumes or lack of oxygen within the tent/shelter could result in unconsciousness, brain damage and even death

To prevent injury caused by fire -



- Do not pitch the tent/shelter near a camp fire or any other flame source
- Do not use candles, matches or any other flame source in or near the tent (this includes stoves, cooking equipment, lighting and heating appliances)
- Only use recommended water repellent compounds on the tent/shelter fly
- Do not spray tent fabrics with insecticides



To prevent injury caused by electricity -

- Always exercise care when using electricity and electric lighting in and near tents/shelters. Only use 12 volt lighting.

To prevent injury caused by your camping environment -



- Do not pitch your tent/shelter on an area that could get flooded



- Do not leave your tent/shelter erected in strong winds - collapse the tent onto the ground and seek refuge in your vehicle



- Do not pitch your tent/shelter near cliffs in case of collapse or rock fall



- Do not pitch your tent/shelter under trees with dead branches or under trees known to drop branches

Product Code ~ CTC-CH10-B

Thank you for purchasing a superior OZtrail product. Please keep this Owners Manual in a safe and dry place, it contains important and helpful information.

IMPORTANT

We recommend that you set up this product before you leave for your trip. Check that all parts are present and that you familiarise yourself with the assembly and disassembly of the product. If you have any problems, your OZtrail dealer will be able to sort it out for you.

You should have the following parts: -

Product Code - CTC-CH10-B

Part Description

<input checked="" type="checkbox"/>	8 x Adjustable Pole 90° bend short (014)
<input checked="" type="checkbox"/>	2 x Adjustable Pole 90° bend long (011)
<input checked="" type="checkbox"/>	2 x Awning Pole with Spigot (201)
<input checked="" type="checkbox"/>	2 x Awning Pole with Spigot (202)
<input checked="" type="checkbox"/>	1 x Awning Pole with Spigot (203)
<input checked="" type="checkbox"/>	4 x Curved Ridge Poles (040)
<input checked="" type="checkbox"/>	1 x Ridge Pole (304)
<input checked="" type="checkbox"/>	3 x Spreader Bar with Spigot (801)

PLEASE NOTE - Due to our policy of continual product development, specifications and features of the product may vary from details within this Owners Manual.

PRODUCT AND PARTS

Part Description Cont.

<input checked="" type="checkbox"/>	2 x Spreader Bar (901)
<input checked="" type="checkbox"/>	1 x Tent Bag
<input checked="" type="checkbox"/>	1 x Pole Bag
<input checked="" type="checkbox"/>	1 x Peg Bag
<input checked="" type="checkbox"/>	18 x Pegs
<input checked="" type="checkbox"/>	6 x Guy Ropes



ASSEMBLY INSTRUCTIONS

Step 1 Site selection

Select a sheltered camp site protected from the wind that will not allow water to pond under the tent floor. Clear a level area of all stones, twigs, etc.

Step 2 Unpack your tent

Unpack the contents of your tent. Lay out your tent in the direction you wish it to face. This is a good time to double check that you are facing the doors in the direction you want them to. Open as many windows and doors as possible. This reduces the force of suction when raising your tent in the later stages of set up. If you do not follow this vital step you may cause damage to your tents stitching, this damage is not a warrantable fault.

Step 3 Peg out your tent

Once your tent is placed in the direction you want you can now peg it out. There are a number major peg points on the tent body. Ensure that all of these points are securely pegged down before proceeding.

Note: Do not stretch your too tightly. It is far better to peg the loosely. Your tent should not be overly taught, this places undue stress on the stitching and material of the tent.

Step 4 Pole Assembly

Assemble your poles and place them side by side for easy identification. Ensure that your poles are all properly inserted into each section. This reduces the chance of pole failure.

- i. Insert the four curved ridge poles (040) into the four side ridge bar pole sleeves as indicated in figure 1.
- ii. Insert the central straight ridge bar (304) into the centre most ridge bar pole sleeve as indicated in figure 1.
- iii. Select the eight adjustable roof supports with 90° bend (014) and two longer adjustable roof supports with 90° bend (011). Attach these poles to their respective ridge bars. 014 poles suit the 040 curved ridge bars. 011 poles suit the 304 straight ridge bar.

Note: The three bars (2 x 014 and 1 x 011) that attach to the ridge poles which meet the their ridge poles at the front awning have a canvas 'sock' that they must pass through. Pass the 90° bend carefully through the 'sock' from underneath the awning before attaching to their respective ridge bar.

Attach these poles to the ridge bars and raise the tent. This is most easily done from the edges inward. Once all are attached, extend the poles to the required length. Ensure that the side poles are angled slightly. See figure 2 on page 9. Your tent should now stand by itself. It is not standing upright ensure that you have extended all of the adjustable roof supports until the canvas is taught. Be sure to not over stress your canvas. Do not extend the poles with undue exertion this will put stress on your tents stitching.

IMPORTANT

1. After unpacking the tent, use the check list on page 4 to make sure you have all the parts.

2. You need to condition your Canvas tent/shelter before use.

See page 12 - CONDITIONING YOUR NEW CANVAS TENT/SHELTER



ASSEMBLY INSTRUCTIONS

Step 5 Setting up the awning

These steps require one or more people to do safely.

- I. Select the three awning spreader bars (801). These poles have a bent spigot at one end and a flat eyelet end. Place the bent spigot end into pre-drilled holes on the three adjustable roof supports under the awning (2 x 014 and 1 x 011). Once inserted allow them to hang from the holes.
- II. Select the centre most awning spreader bar. Place the longest upright awning pole 's spigot (203) through the awning spreader bar's (801) flat eyelet. Select the two smaller awning spreader bars (2 x 901). Place a flat eyelet end of each over the spigot of the upright awning pole (801). Place the upright awning pole's spigot through the eyelet at the end of the tent's awning. Ensure that someone holds the pole in place before continuing to the next step.
- III. Select an awning upright (201). Place its spigot through the flat eyelet end of the left awning spreader bar (801) and the eyelet end of the leftmost small awning spreader bar (901) that is also attached to the centre most awning upright (203). After placing the spigot through these other poles, insert it into the eyelet at the left-hand corner of the tent's awning. Once this pole is upright and inserted through the tent awning eyelet, use a guy rope to secure it in place.
- IV. Repeat the above step for the right-hand side of the awning.
- V. Now secure the centre most awning upright pole with a guy rope as well.

Step 6 Guy Ropes and Peg Out.

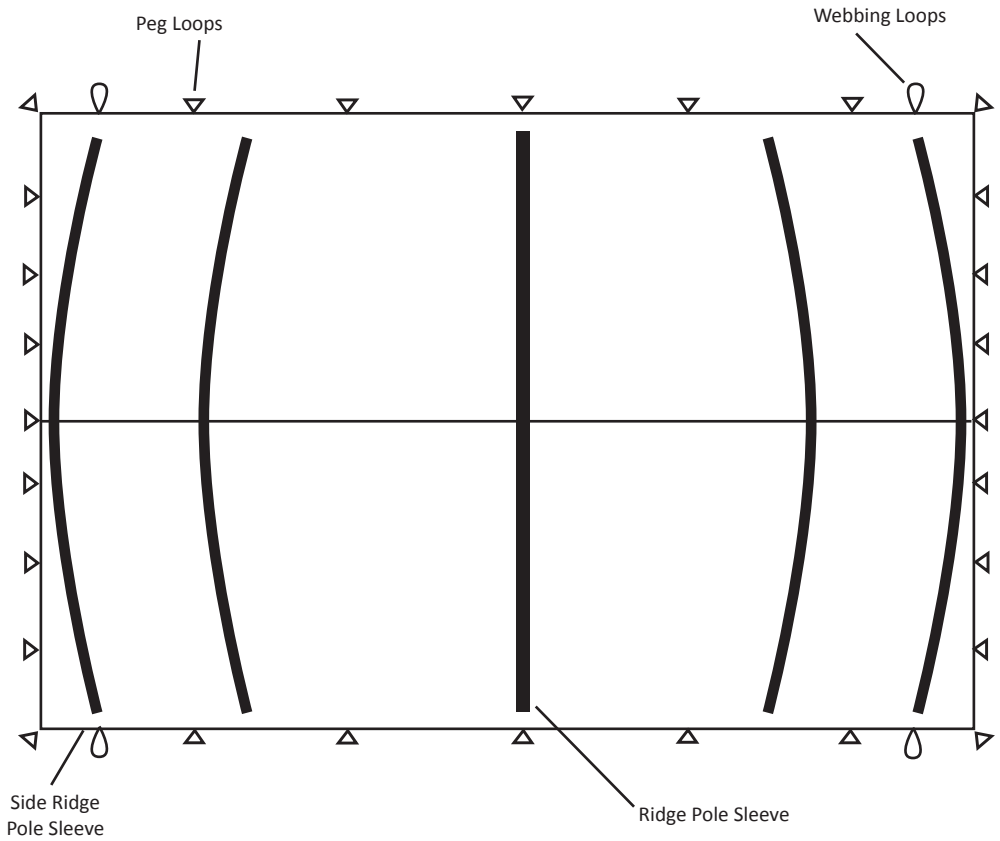
Your tent is supplied with a number of guy ropes. You should now secure the loose end to the guy rope points on the tent. Once secured in place peg out these guy ropes. After you have peg out your guy ropes ensure that you have pegged out all of your peg points on the tent body and awning.

Step 7

Place all spare parts and unused equipment back into the tent bag and store in a dry space or in your vehicle.

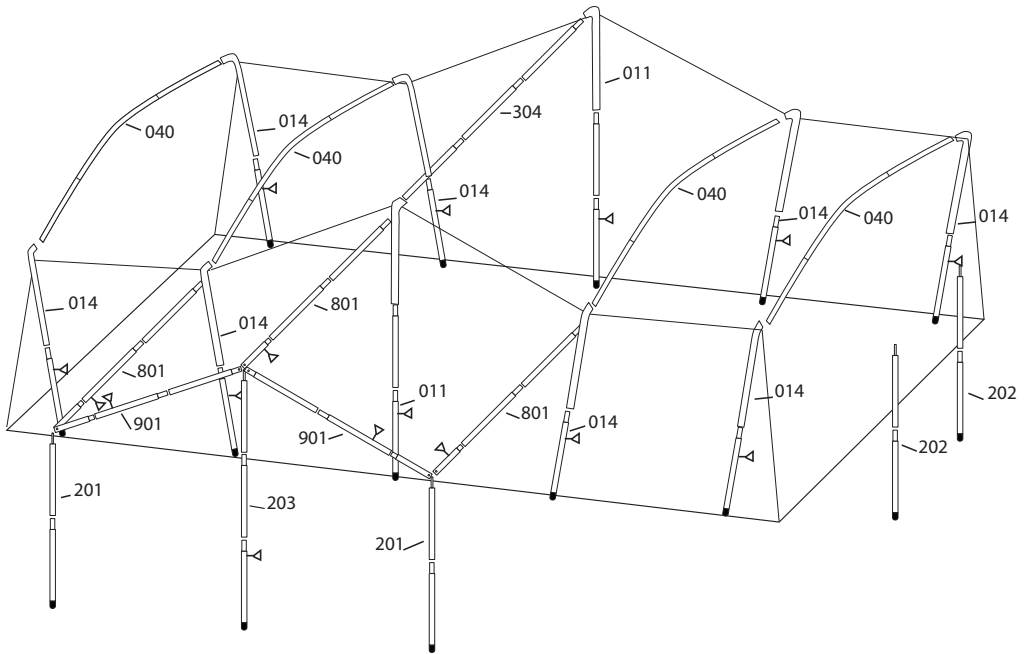
FIGURES AND ILLUSTRATIONS

Figure 1



FIGURES AND ILLUSTRATIONS

Figure 2



DISASSEMBLY INSTRUCTIONS

Step 1

Release guy ropes.

Step 2

Unzip doors and windows and collapse the tent, removing and disassembling the poles. Place the poles in the pole carry bag and tie shut.

Step 3

Remove pegs.

Do not remove pegs from the ground by pulling on peg loops.

This may cause the peg loops to tear out of the seam.

Step 4

Spread the tent out flat with all loose fabric within the edges of the tent base.

Try to flatten the tent as much as possible.

Step 5

Fold the tent in half, third or quarters.

The folded tent should be the width of the pole bag.

Step 6

Beginning at the back end, roll your tent tightly, forcing out excess air as you roll.

Keep tent edges straight as you roll.

Step 7

When tent is rolled up, tie straps around it and place into tent carry bag with peg bag, instruction sheet, and other miscellaneous parts. If tent won't fit into bag, unroll and re roll more tightly.

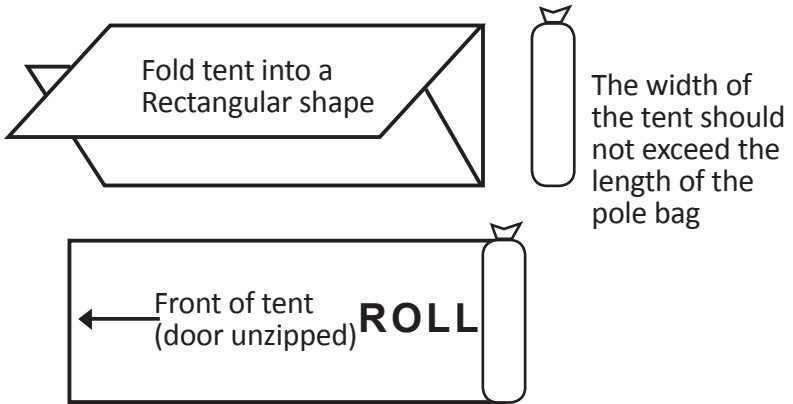
Important

Do not store your tent away wet, damp or dirty. If you have no choice but to return home from your camping trip with a wet, damp or dirty tent, make sure you lay it out to air in a cool, dry and shaded place and only pack it away when it is completely dry and clean.

**Do not remove pegs from the ground by pulling on peg loops.
This may cause the peg loops to tear out of the seam.**

FOLDING INSTRUCTIONS

Figure 3





PROLONGING THE LIFE OF YOUR TENT/SHELTER

- Intermittent use only. Although our polyester fabrics are treated for extra UV resistance, continuous exposure to sun light will break the fabric down. Fading of colour is an early warning sign. These tents/shelters are not designed as permanent dwellings or structures.
- During rain always lower awnings to avoid water ponding and collapsing the awning.
- If seam seal tape is lifting, simply cut the lifted tape off and apply seam sealer to the seam.
- Never store a wet and/or soiled tent/shelter; as mildew and corrosion can form within a few days. This condition is not covered by the warranty. Always allow the tent to dry completely before packing and stowing. If mildew occurs, use a soft bristle brush or sponge with mild detergent to clean it off.
- The elastic shock cord within the poles is provided for easy assembly of the poles. The shock cord is not required for any structural reason. The poles and tent perform perfectly well without the shock cord. Age, over stretching and mishandling may cause failure. Shock cord is not covered by warranty. It's easy to replace, see instructions.
- Sometimes the zipper coil bursts open or does not close. This could be due to wear or metal fatigue. The problem can be easily fixed, see instructions.
- First aid for tears and ash burns is to carry a roll of tape, industrial or medical. This not only blocks the hole, it will prevent further tearing. It could have other uses around the camp site too.
- When removing pegs, do not use the webbing or corner of the tent as your handle. Either use another peg, a peg remover or the claw of a hammer hooked under the peg to remove them.

IMPORTANT - CONDITIONING YOUR NEW CANVAS TENT

Once you get your new tent home, it is important to condition the tent. Simply pitch your tent and wet it down with your garden hose. Pay particular attention to the seams - the thread swells when wet and blocks the needle holes. The needle holes also shrink around the thread. The canvas fabric also benefits from this because the cotton swells into the weave and the waterproof treatment settles within the fabric. Let the tent dry completely before doing it a second time. Always pack your tent away dry.

UNDERSTANDING WATERPROOFNESS

What is not covered by warranty!

OZtrail tents use waterproof and water repellent fabrics. However, with the addition of seams, zips and other desirable features a recreational tent will not be as waterproof as a car, house or other solid structures. The following are common examples of how water can enter a tent: -

Condensation - When warm moist air meets cooler air, condensation occurs. The tent/shelter fly forms an impermeable layer between the inside and outside conditions. The moisture inside the tent/shelter condenses on the fabric. Sometimes in cold conditions it appears that the fabric is leaking when in fact the cause is condensation. Condensation can be reduced if the tent/shelter is well ventilated.

Zips - All care is taken in the design to cover zips with rain flaps. At times wind driven rain could force water under the rain flaps and through the zips. To minimise this, make sure all doors and windows are closed with the rain flaps covering the zips.

Floor - If the ground is very wet or water pools under the floor, downward pressure of standing or kneeling on the floor could force water through the floor fabric. To prevent this, do not pitch the tent over hollows and make sure water drains away from the tent.

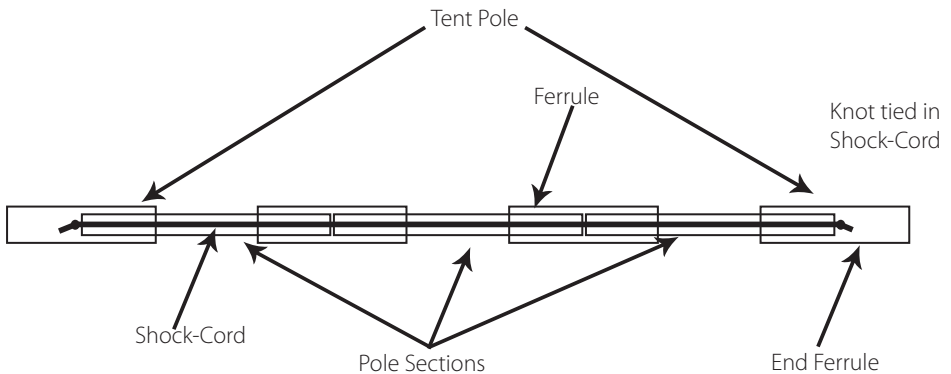
Structural Integrity - A perfectly pitched tent on perfectly flat ground is structurally strong and most waterproof. During prolonged periods of rain and wind it may be necessary to tighten guy lines and reset the tent pegs and attend to drainage around the tent. Sagging and incorrect pitching weakens the tent structure and could allow water to pool on the fly placing undue forces on the tent causing leaking and breakages.

Replacing shock-cord in tent poles

Use this procedure to replace broken or untied Shock-Cord:-

1. Start by cutting the Shock-Cord to 2/3's the length of the Tent Pole
2. Feed the cord through the first pole section and tie a double knot. The knot will catch on the end of the fibreglass pole inside the ferrule.
3. Stretch the Shock-Cord through each Pole Section keeping the cord stretched within the poles so you have enough relaxed cord to feed through the next Pole Section.
4. Once all Pole Sections are threaded, double check that the Shock Cord tension is not either too loose or too tight and then tie-off the free end.

Shock-cord can be purchased by the metre from Camping Stores or with Pole Repair Kits.



ZIPS

Reducing the risk of jamming fabric in the zip ~

- When using the zip, hold the pull-tab between your thumb and forefinger with your thumb facing you.
- As you are closing the zip clear the way in front and under the zip slider using the back of your hand, and cup the zip slider underneath with your remaining 3 fingers.

Use this action for opening or closing. Keep the fabric clear of the zip slider - zip and unzip slowly.

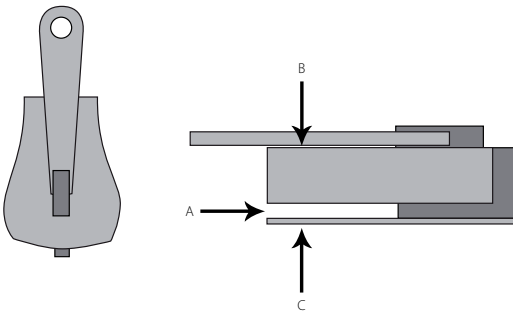
What to do when the zipper gets caught ~

- Pull the fabric bit by bit out of the slider. Do not try and pull all the fabric in one go. Do not force the slider, or use pliers on either the fabric or the zip.

If the slider does not close the zipper properly ~

- With use, the jaws of the zip slider can open ever so slightly. When this occurs the slider does not compress the zip teeth or coil together tightly enough and the zip bursts open or does not close.
- Undo the zip and with the slider at the end of the zip lightly crimp the jaws of the slider together. Try top to bottom axis first and then side to side axis.

Crimping A Zip-Slider



The most common reason why zips burst open is that the zip slider does not close the coil tightly enough. Metal fatigue and production variances cause the gap marked A to open up.

By simply 'crimping' the slider together at points B & C with a pair of pliers, this solves the problem most of the time. Crimping in other planes is worth a try if B & C does not work. This is to be done when the zip slider is still attached to the zip in the open position.



WARRANTY

We guarantee that the brand new product does not have faulty construction, materials, components or function.

If a fault is discovered that existed in the brand new product within the first 12-months of use, we will replace or repair it at our discretion. Proof of purchase, including the purchase date will be required.

Exceptions

Fair wear and tear, damage caused by improper use, misuse or abuse.

Commercial users are not covered by this warranty. Defects due to modification, accident, damage caused by vandalism, rusting, acts of nature or any other event beyond the control of the manufacturer. This warranty does not cover scratching, scuffing, natural breakdown of materials that occur inevitably with extended use including Ultra Violet light damage, exhausted zippers or other cosmetic damage that may result from normal wear and tear.

In addition, defects resulting from intentional damage, negligence or unreasonable use will void the warranty. This warranty does not cover incidental expenses including property damage.



Imported by:

OZtrail Leisure Products

PO Box 1, Sumner Park QLD 4074

www.oztrail.com.au

Made in China